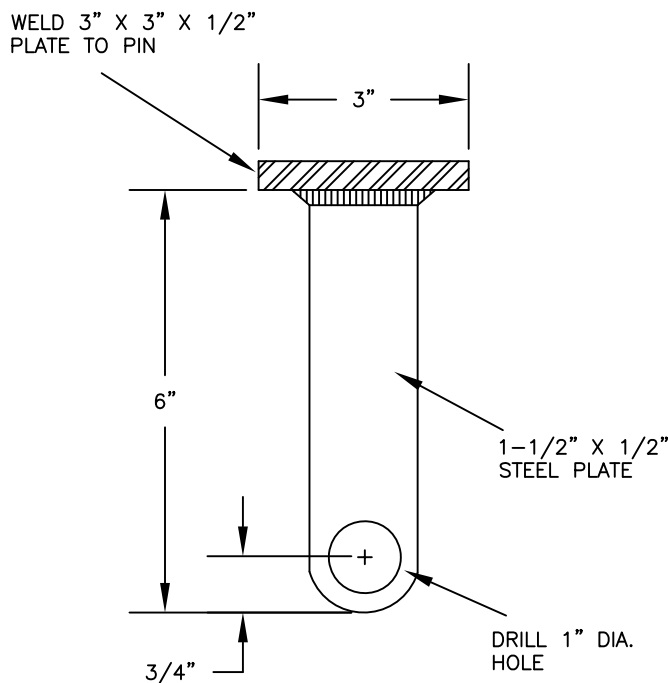
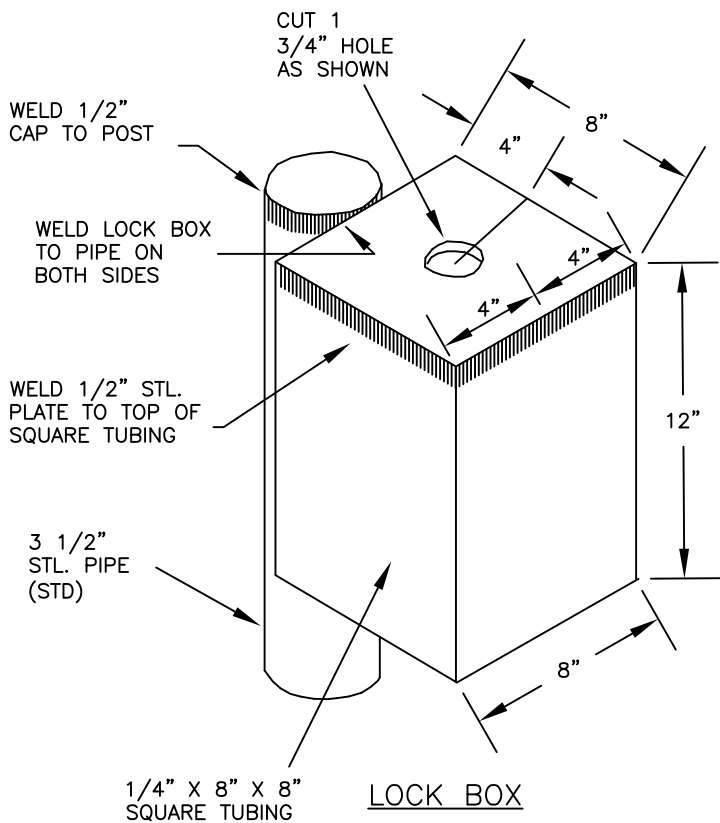
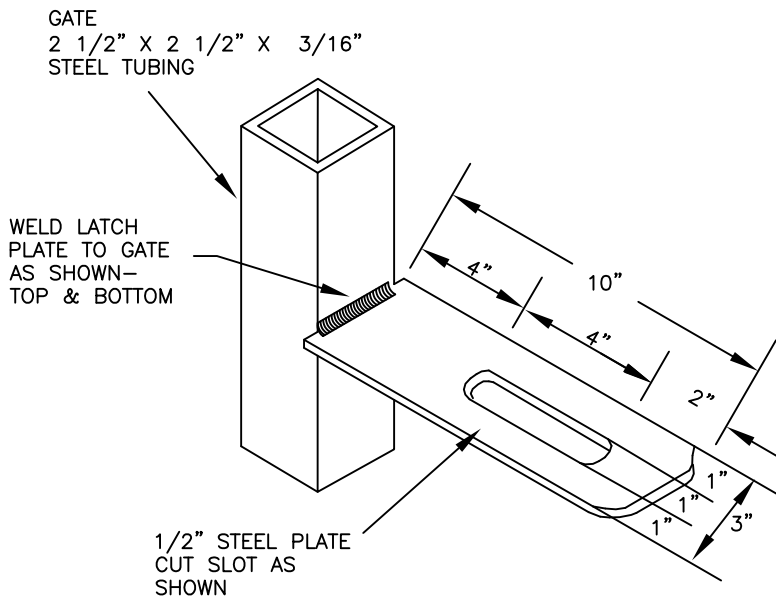


This Detail Drawing may not be altered or changed in any manner except by the City Engineer. It is the responsibility of the user to acquire the most current version.



LOCKING PIN DETAIL

NOTE:
1. ALL STEEL SHALL BE A-36.



LATCH PLATE DETAIL

Fire/Utility Access Gate Latch, Lock, and Locking Pin

DRAWING NUMBER: RD-1215

DRAWN BY: SR

SCALE: N.T.S.

FILE NAME: RD-1215.DWG

APPROVED BY: NK

DATE: 4/2/14

CITY OF
WILSONVILLE



PUBLIC WORKS STANDARDS