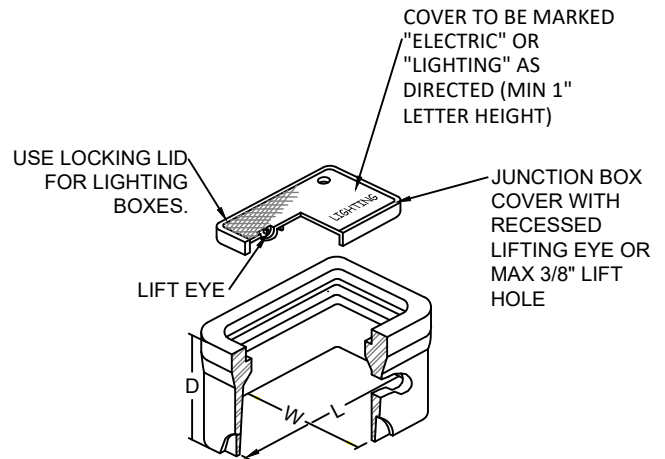
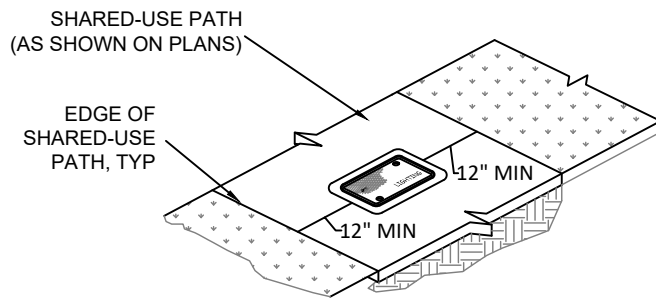
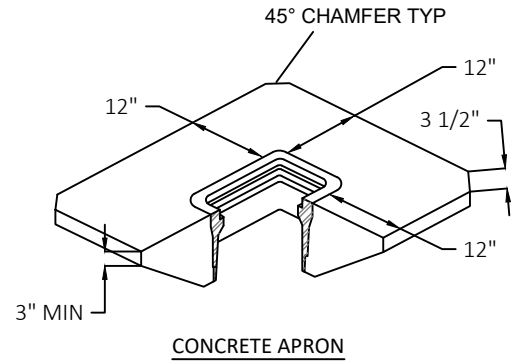
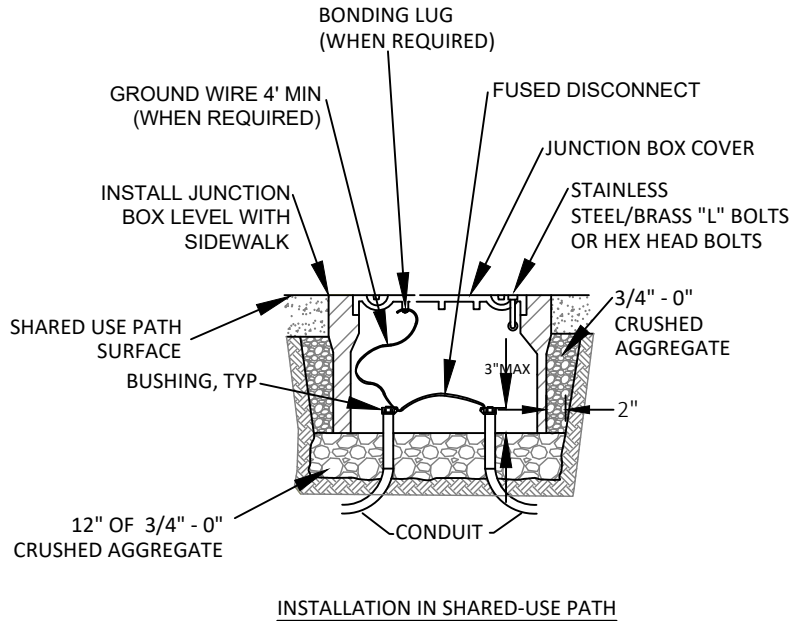


This Detail Drawing may not be altered or changed in any manner except by the City Engineer. It is the responsibility of the user to acquire the most current version.




JUNCTION BOX PLACEMENT WITHIN SHARED-USE PATH

- AVOID INSTALLING IN PATHWAYS WHENEVER POSSIBLE.
- LOCATED ONLY IN FLAT AREAS OF PATHWAY.
- NOT TO BE INSTALLED IN SLOPES OF RAMPS.
- IF PLACED WITHIN PATHWAYS, SHALL INCLUDE A FULL PANEL REMOVAL AND REINSTALL.

Junction Box Type	JB1	JB2	JB3
Junction Box Size	12" x 12" x 12"	13" x 24" x 18"	17" x 30" x 18"
Junction Box Manufacturer	Armorcast	Armorcast	Armorcast
Junction Box Part Number(s)	A6001423TA	A6001946TAPCX18	A6001640TAPCX18
Maximum Conduit Size	2 inch	2 inch	3 inch
No. of Incoming Conduit	1	1	1 (or 2)
No. of Outgoing Conduit*	0	1	2 (or 1)

*EXCLUDES 1-INCH BETWEEN JUNCTION BOX AND LIGHT STRUCTURE.

Shared-Use Path Lighting – Electrical Junction Boxes				CITY OF WILSONVILLE OREGON			
DRAWING NO:	RD-1325	DRAFTED BY:	S. SHORTES	REV	DATE		APPR
FILE NAME:	RD-1325.DWG	APPROVED BY:	Z. WEIGEL	1	06/21		ZJW
SCALE:	NTS	EFFECTIVE DATE:	6/10/2021				
				PUBLIC WORKS STANDARDS			