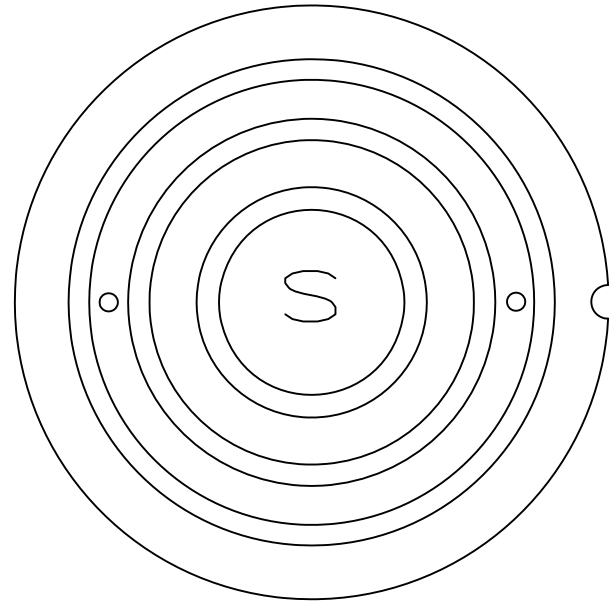
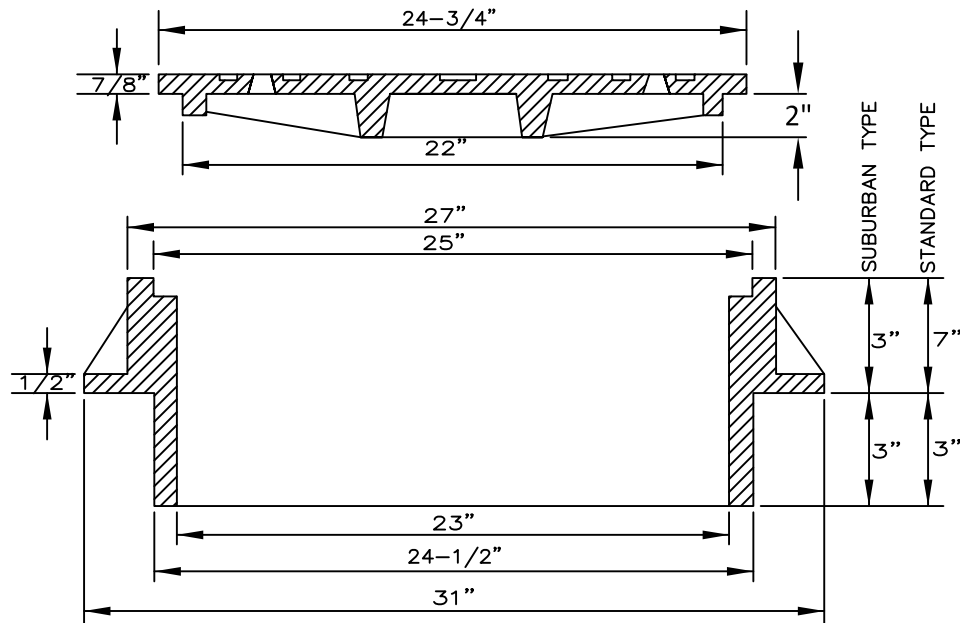


STORM



SANITARY



NOTES:

1. SUBURBAN TYPE NOT FOR USE IN PCC STREETS OR ARTERIAL ROADWAYS.
2. COVER AND FRAME SHALL BE GRAY CAST IRON ASTM A-48 CLASS 30B AND AASHTO M105 CLASS 30B.
3. COVER AND FRAME TO BE MACHINED TO A TRUE BEARING ALL AROUND.
4. NOTCH LID FOR LIFTING HOOK.

Suburban and Standard Manhole Frame and Cover

CITY OF  
WILSONVILLE



DRAWING NUMBER: S-2055

DRAWN BY: SR

SCALE: N.T.S.

FILE NAME: S-2055.DWG

APPROVED BY: NK

DATE: 6/4/14

PUBLIC WORKS STANDARDS