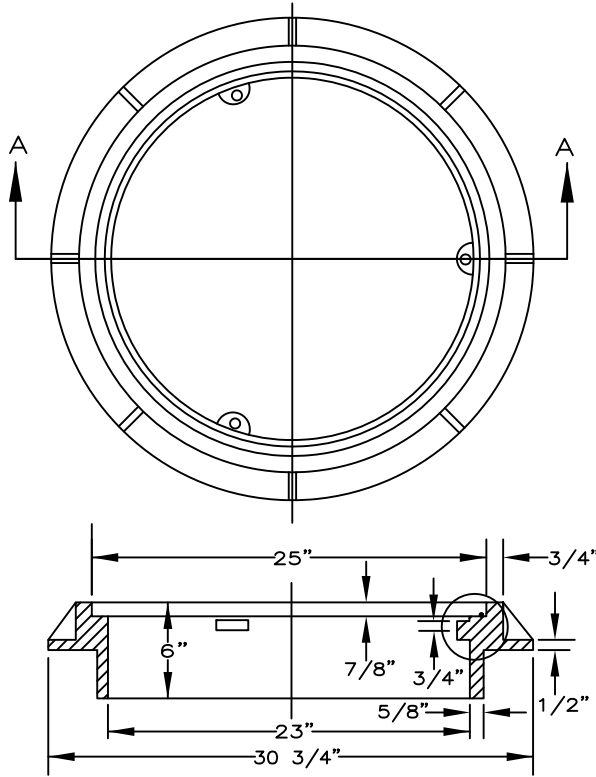
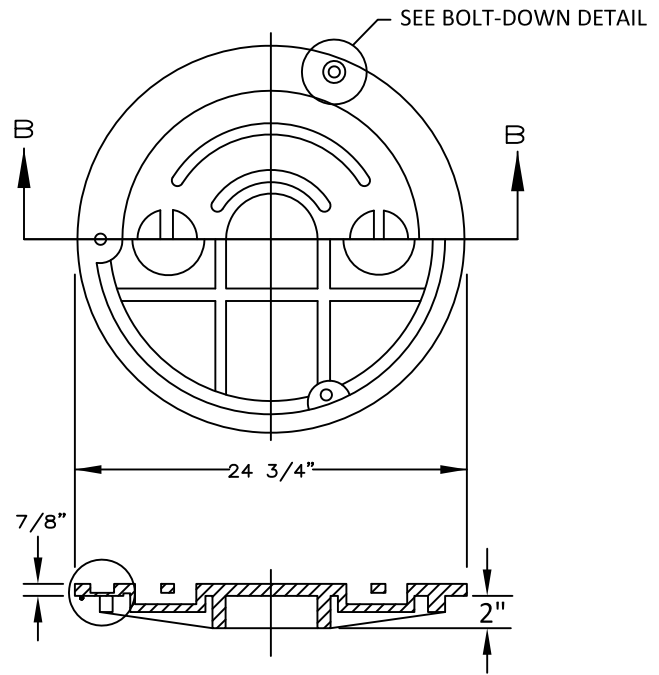


TAMPER PROOF MANHOLE RING

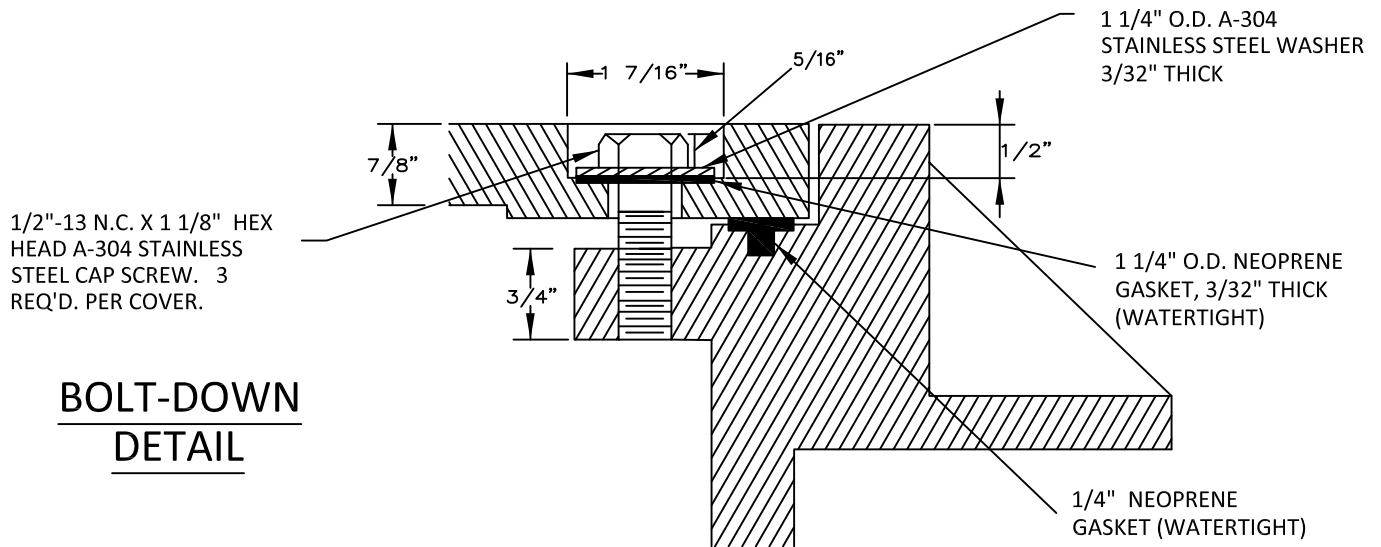
3-BOLT DOWN COVER



SECTION A-A



SECTION B-B



**BOLT-DOWN
DETAIL**

NOTE:

1. INSTALL TAMPERPROOF FRAME & COVER FOR MANHOLES INSTALLED OUTSIDE OF PAVED STREET OR SIDEWALK AREAS
2. COVER AND FRAME SHALL BE OF GRAY CAST IRON A.S.T.M. A-48 CLASS 30B AND AASHTO M105, CLASS 30B, CENTER BOLT HOLE WITH MANHOLE STEPS.
3. ALL BOLT THREADS SHALL HAVE ANTI-SEEZE COMPOUND APPLIED PRIOR TO INSTALLATION.
3. ALL BOLTS AND WASHERS TO BE A-304 STAINLESS STEEL.

Tamperproof Manhole Frame and Cover

CITY OF
WILSONVILLE

DRAWING NUMBER: S-2060

DRAWN BY: SR

SCALE: N.T.S.

FILE NAME: S-2060.DWG

APPROVED BY: NK

DATE: 6/4/14

PUBLIC WORKS STANDARDS

