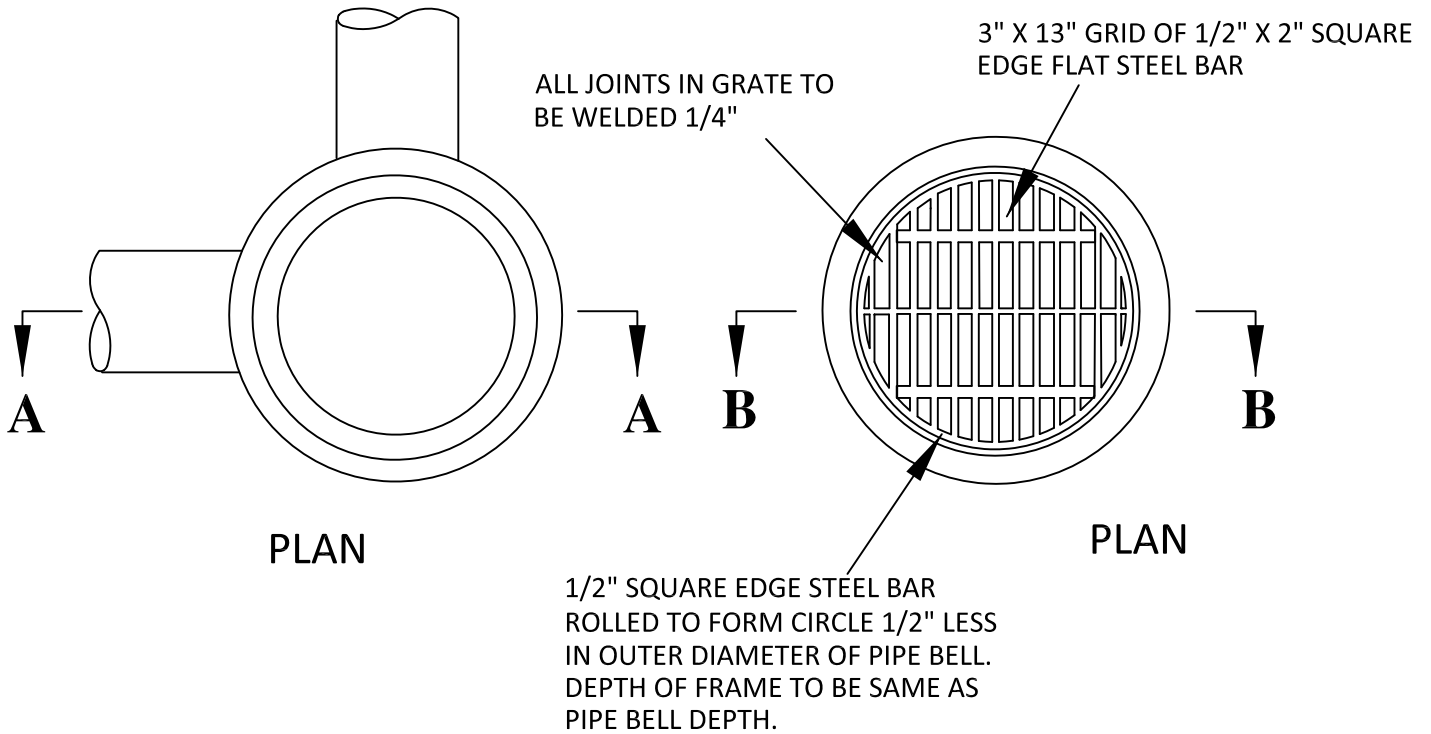
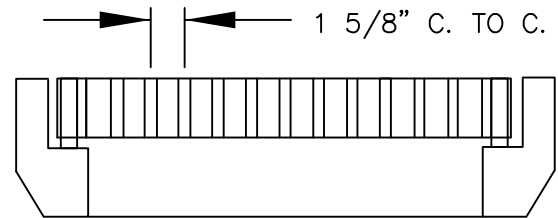
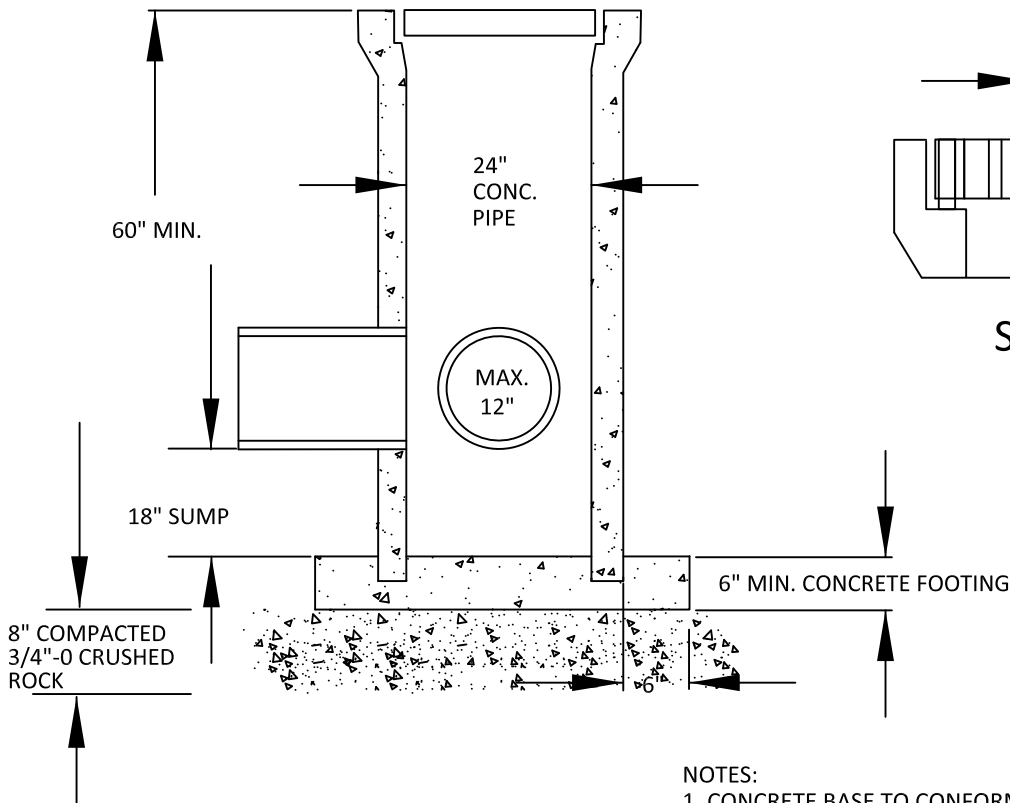


This Detail Drawing may not be altered or changed in any manner except by the City Engineer. It is the responsibility of the user to acquire the most current version.



SECTION A-A



SECTION B-B

NOTES:

1. CONCRETE BASE TO CONFORM WITH ASTM C-478 FOR COMPRESSIVE STRENGTH
2. 24" PIPE TO CONFORM WITH ASTM C-76 CL 111
3. 8" OF COMPACTED 3/4"-0 CRUSHED ROCK BASE MATERIAL
4. GRATE TO BE FLAT BANK STEEL OR APPROVED EQUAL
5. 18" SUMP REQUIRED

Area Drain and Grate (Type 1)

DRAWING NUMBER: S-2105

DRAWN BY: SR

SCALE: N.T.S.

FILE NAME: S-2105.DWG

APPROVED BY: NK

DATE: 6/4/14

CITY OF  
WILSONVILLE



PUBLIC WORKS STANDARDS