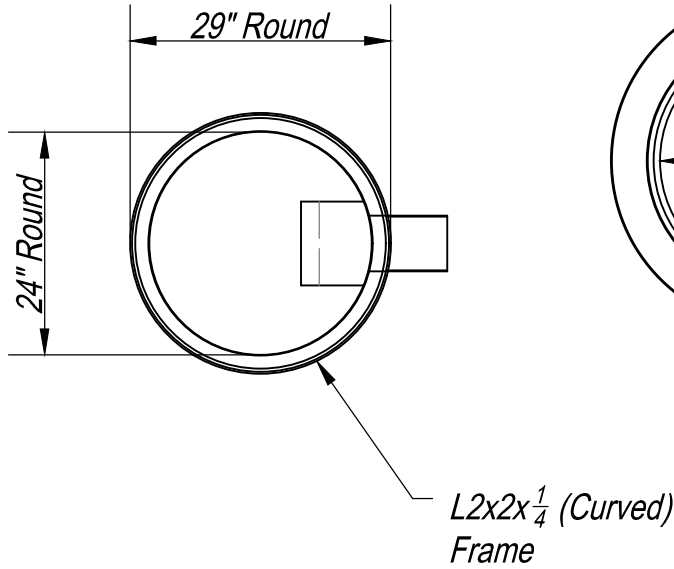
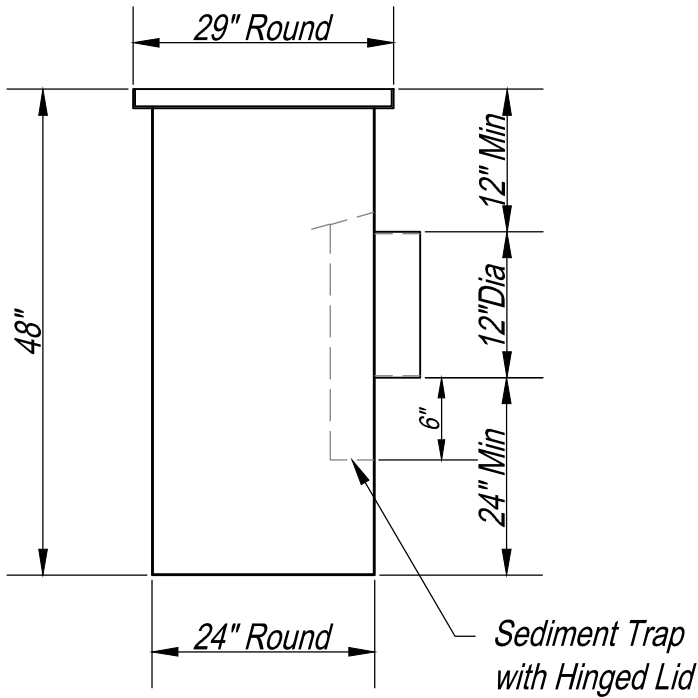
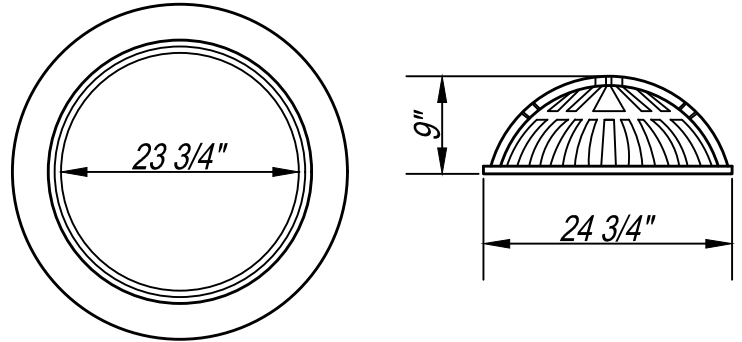


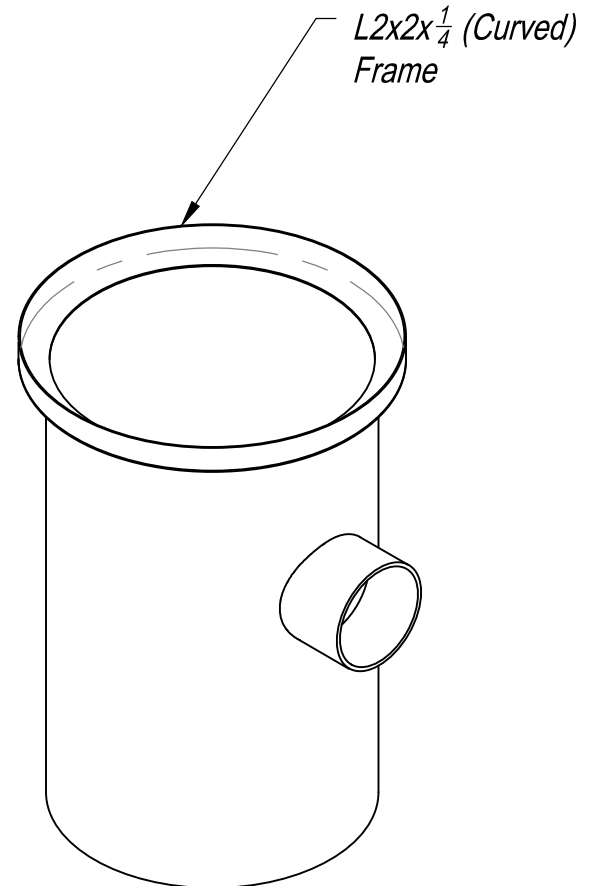
Plan View



Beehive Grate



Side



Isometric

Notes:

1. Set Grate a Minimum of 3" Below Lowest Curb or Inlet Elevation.

24" Round Stormwater Catch Basin w/10" or 12" Outlet

DRAWING NUMBER: S-2111

DRAWN BY: SR

SCALE: N.T.S.

FILE NAME: S-2111.dwg

APPROVED BY: NK

DATE: 06/08/2017

CITY OF  
WILSONVILLE



PUBLIC WORKS STANDARDS