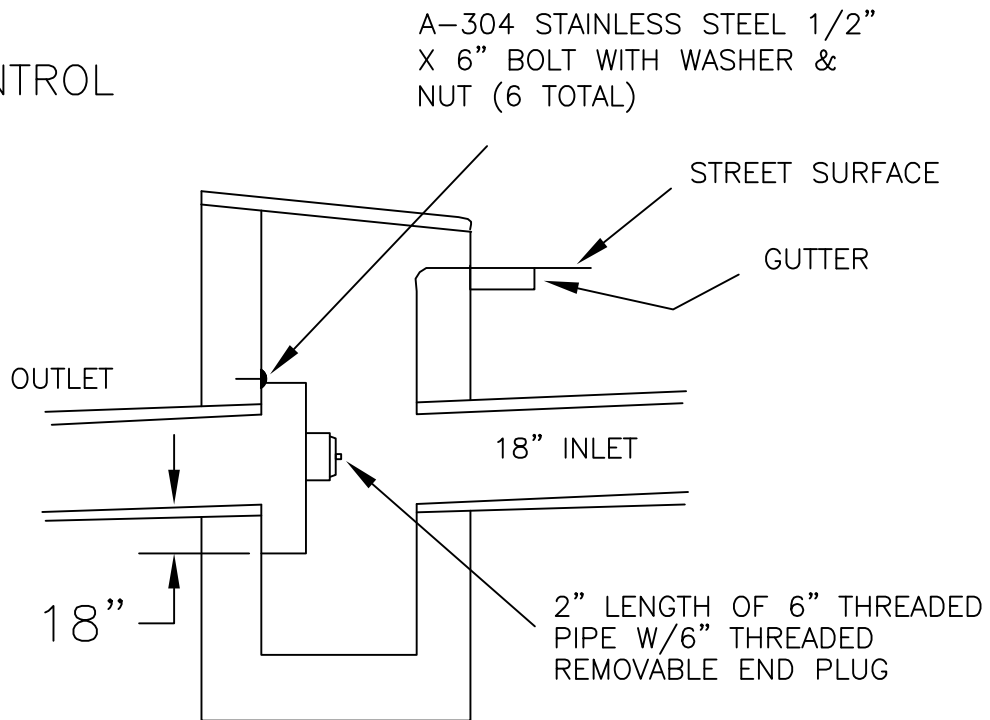


POLLUTION CONTROL
STRUCTURE



Gutter Inlet Pollution Control Device

CITY OF
WILSONVILLE



DRAWING NUMBER: S-2135

DRAWN BY: SR

SCALE: N.T.S.

FILE NAME: S-2135.DWG

APPROVED BY: NK

DATE: 6/4/14

PUBLIC WORKS STANDARDS