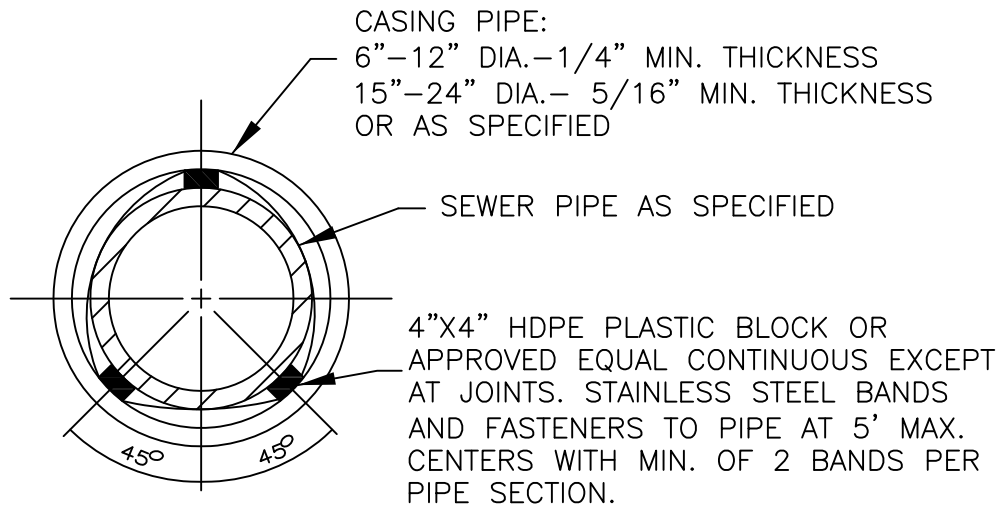


PIPE SEAL DETAIL



CASING SECTION

Bore Detail

DRAWING NUMBER: S-2165

DRAWN BY: SR

SCALE: N.T.S.

FILE NAME: S-2165.DWG

APPROVED BY: NK

DATE: 6/4/14

CITY OF  
WILSONVILLE



PUBLIC WORKS STANDARDS