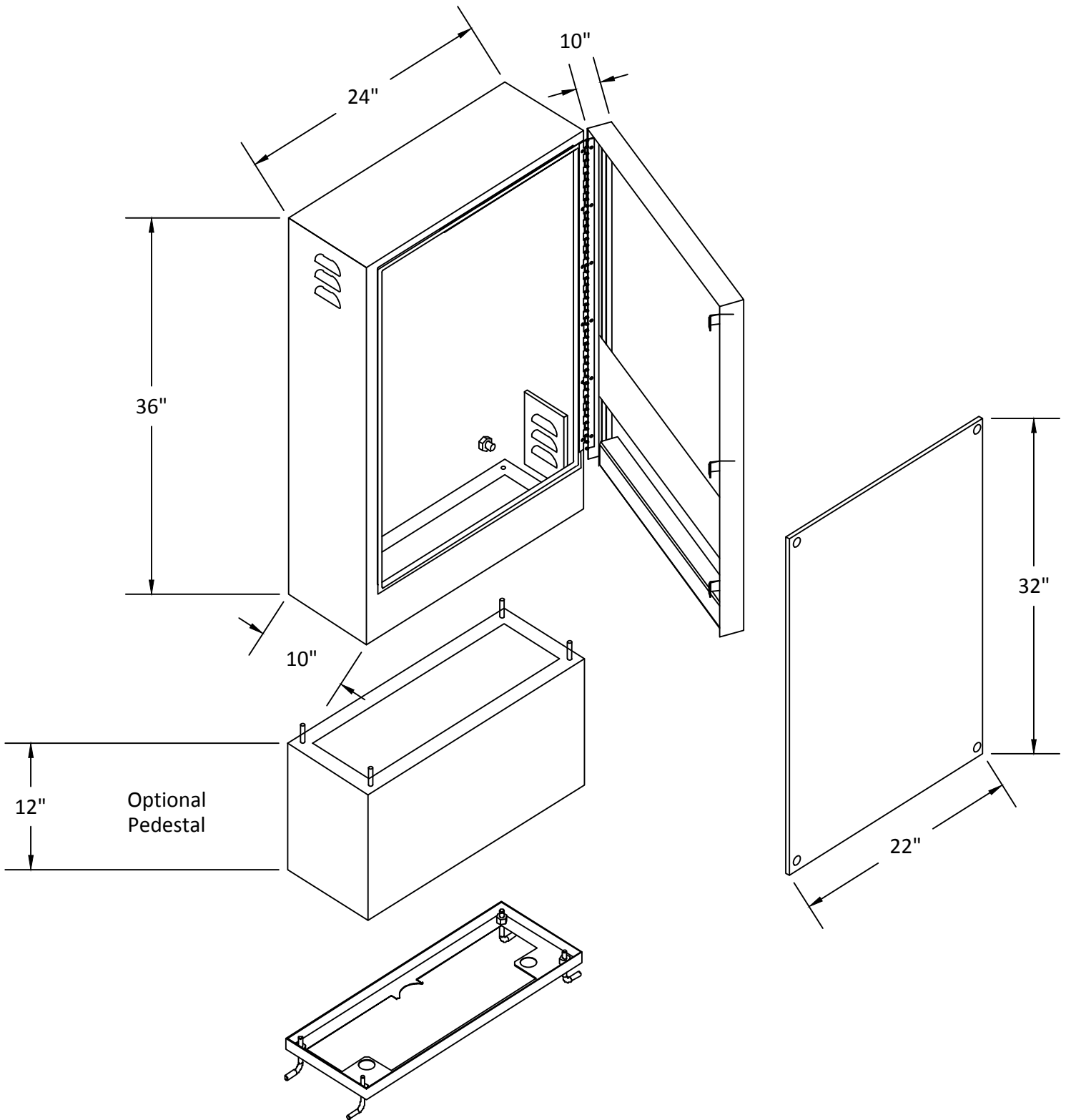


This Detail Drawing may not be altered or changed in any manner except by the City Engineer. It is the responsibility of the user to acquire the most current version.



StrongBox Heavy Duty Enclosure, Stainless Steel
Model SB-24SS, 24" Wide Enclosure

Irrigation Control Box

DRAWING NUMBER: WT-3130

DRAWN BY:

SCALE: N.T.S.

FILE NAME: WT-3130.dwg

APPROVED BY:

DATE: 4/13/16

CITY OF
WILSONVILLE



PUBLIC WORKS STANDARDS