

CITY OF WILSONVILLE
CITY COUNCIL MEETING MINUTES

A regular meeting of the Wilsonville City Council was held at the Wilsonville City Hall beginning at 7:00 p.m. on Thursday, September 7, 2017. Mayor Knapp called the meeting to order at 7:01 p.m., followed by roll call and the Pledge of Allegiance.

The following City Council members were present:

Mayor Knapp
Councilor Starr - Excused
Councilor Stevens
Councilor Lehan - Absent
Councilor Akervall

Staff present included:

Bryan Cosgrove, City Manager
Jeanna Troha, Assistant City Manager
Barbara Jacobson, City Attorney
Kimberly Veliz, City Recorder
Kerry Rappold, Natural Resources
Delora Kerber, Public Works Director
Susan Cole, Finance Director
Mark Ottenad, Public and Government Affairs

Motion to approve the order of the agenda.

Motion: Councilor Stevens moved to approve the order of the agenda as submitted. Councilor Akervall seconded the motion.

Vote: Motion carried 3-0.

COMMUNICATIONS

A. CCSO Behavioral Health Unit

Valentina Muggia and Teal Bohrer of CCSO Behavioral Health Unit presented on the Clackamas County Sheriff's Office partnership with Clackamas County Behavioral Health. Highlights of the presentation included the following:

- Provide mobile crisis outreach to law enforcement on scene.
 - In the last 6 months we have expanded to all police jurisdictions within Clackamas County.
 - In the last few months we have hired a case manager and two new clinicians and will be expanding to evening hours.
 - On October 1st, BHU will become Clackamas County's 24-hour mobile response team.
- Review Sheriff's Office police reports (including Wilsonville and Happy Valley) that contain a mental health component and provide follow up.
- Assist in various Sheriff's Office trainings (Crisis Intervention Training, Reserve Academy, Hostage Negotiation Team, Citizens Academy)

**CITY OF WILSONVILLE
CITY COUNCIL MEETING MINUTES**

CITIZEN INPUT & COMMUNITY ANNOUNCEMENTS

This is an opportunity for visitors to address the City Council on items not on the agenda. It is also the time to address items that are on the agenda but not scheduled for a public hearing. Staff and the City Council will make every effort to respond to questions raised during citizens input before tonight's meeting ends or as quickly as possible thereafter. Please limit your comments to three minutes.

No public input.

MAYOR'S BUSINESS

A. Upcoming Meetings

Mayor Knapp reported on upcoming meetings and past meetings, he attended on behalf of the City.

B. Letter of Support

Willamette United Football Club South Lake Park Project letter of support was discussed and edited in Work Session.

Mayor Knapp announced the proposed letter of support between supporting the concept of the project and being sensitive to land use rules and traffic impacts.

Letter of support is appended.

Motion: Councilor Akervall made a motion to accept the letter as amended in the Work Session. Councilor Stevens seconded the motion.

Vote: Motion carried 3-0.

C. City Manager's Contract Renewal

Mayor Knapp stated that he appreciates the work that Mr. Cosgrove has done and looks forward to the future. Furthermore, Council proposes to extend a two-year contract to Mr. Cosgrove that would extend from June 20, 2017 through June 19, 2019.

Motion: Councilor Stevens moved to approve the extension of Mr. Cosgrove's contract, the City Manager, from June 20, 2017 through June 19, 2019, as outlined in the employment agreement with the base compensation of one hundred sixty-one thousand dollars (\$161,000) for the year June 20, 2017 through June 19, 2018 and one hundred seventy-two thousand dollars (\$172,000) for the year beginning June 20, 2018 through June 19, 2019. Councilor Akervall seconded the motion.

Vote: Motion carried 3-0.

**CITY OF WILSONVILLE
CITY COUNCIL MEETING MINUTES**

Council appreciated and complimented Mr. Cosgrove on his professionalism and excellent work with staff and the City.

Mr. Cosgrove thanked Council for their comments.

Mayor Knapp noted Council looks at the competitive market place in city managers around the area. Therefore, recognizes the need to be competitive in the arena and the merit of the performance demonstrated.

COUNCILOR COMMENTS

- A. Councilor Stevens commented that the French Prairie Bridge Task Force scheduled for Tuesday, September 26 has been cancelled. Ms. Stevens informed that staff are still gathering information for the taskforce to discuss. The meeting will be rescheduled in October or possibly November. Additionally, the Wilsonville Community Emergency Preparedness Fair will be held at the Church of Latter-day Saints. Councilor Stevens also shared that she attended Boones Ferry Park Master Plan kickoff meeting and encouraged citizens to get involved in that project.

- B. Councilor Akervall agreed with Councilor Stevens comments about the Boones Ferry Master Plan and thanked those that attended.

CONSENT AGENDA

Ms. Jacobson read the title of the Consent Agenda items into the record.

- A. **Resolution No. 2653**
A Resolution Of The City Of Wilsonville Authorizing The City Manager To Execute A Construction Contract With 3Kings Environmental, Inc. For The I-5 Undercrossing Trail Improvement Phase I Project (Capital Improvement Project #9146).

The staff report was prepared by Kerry Rappold, Natural Resources Manager.

Motion: Councilor Stevens moved to approve the Consent Agenda as read. Councilor Akervall seconded the motion.

Vote: Motion carried 3-0.

PUBLIC HEARING

- A. **Ordinance No. 808** – 1st reading
An Ordinance Of The City Of Wilsonville Regarding Street Light: Types; Infill; Rates; Billing; And Fund; Amending Wilsonville Code Sections 3.200 Through 3.204; And Repealing Ordinance Nos. 41 And 304.

Ms. Jacobson read the title of Ordinance No. 808 into the record on first reading.

CITY OF WILSONVILLE
CITY COUNCIL MEETING MINUTES

Mayor Knapp opened the public hearing on Ordinance Numbers 808 and 809 at 7:47 p.m. and read the hearing format.

The staff report was prepared by Delora Kerber, Public Works Director.

Staff report executive summary.

In 1974 through [Ordinance No. 41](#), the City created street light improvement districts for the installation, maintenance, and invoicing of costs for street lights.

Via [Ordinance No. 304](#), adopted in 1986, the street light districts were reorganized into street light types, with the requirement that luminaries be only Sodium Vapor and provided under the Portland General Electric (PGE) Option A maintenance plan.

Since the last update to this Section of the Code, both technology and processes related to street lights have changed.

The City desires to install light emitting diode (LED) lights for new street light installations and the Code must, therefore, be updated to provide flexibility in the kind of luminaries to be used.

In 2000, the City bought street lights and poles from PGE and moved to PGE's Option B maintenance plan, where the City owns the street lights and PGE maintains and energizes them.

With the installation of new LED lights, maintenance will move to PGE's Option C plan, where the City owns and maintains the street lights and PGE only provides energy. Thus, the City Code should be updated to reflect current and anticipated future practices related to maintenance of street lights.

For consolidation and clarity, it is recommended the new Code reference the Public Works Standards for the various Street Light Types and Lighting Districts.

The Street Light Billing section of the proposed updated Code has been changed to reflect the current City practice related to utility billing.

The sections of the Code related to Street Light Infill and Street Lighting Fund both need to be modified to follow existing processes.

Suggested Code modifications are complementary to the proposed revisions of the Public Works Standards, Section 201.9.00, and amendments to Resolution Nos. 881 and 1473.

End of executive summary.

Staff report expected results.

Adoption of this Ordinance will support the installation of dark-sky friendly LED street lights on new public capital improvement and private development projects within the City.

End of expected results.

Staff report potential impacts or benefit to the community.

CITY OF WILSONVILLE
CITY COUNCIL MEETING MINUTES

Adoption of the updated City Code Sections 3.200 through 3.204 will support the installation of dark-sky friendly LED street lights as part of the City's public infrastructure.

Advantages of using LED lights are that they have a longer life span than traditional lights and thus require less maintenance, and LED lights are more energy efficient and consume less electricity. On the other side, there are some who believe LED lights are more detrimental to wildlife but, for that reason, the City has elected to use the 3,000 Kelvin Color Lights, which are similar to the high pressure sodium currently in use.

End of potential impacts or benefit to the community.

Motion: Councilor Akervall move to approve Ordinance No. 808 on first reading. Councilor moved to approve on first Ordinance No. 808 on first reading. Councilor Stevens seconded the motion.

Vote: Motion carried 3-0.

SUMMARY OF VOTES:

Mayor Knapp	Yes
Council President Starr	Excused
Councilor Stevens	Yes
Councilor Lehan	Absent
Councilor Akervall	Yes

B. Ordinance No. 809 – 1st reading

An Ordinance Of The City Of Wilsonville Revising Section 201.9.01 - Roadway And Intersection Lighting Of The City Of Wilsonville Public Works Standards – 2015 And Adding Drawings To The Public Works Standard Detail Drawing – 2014

Ms. Jacobson read the title of Ordinance No. 809 into the record on first reading.

The staff report was prepared by Delora Kerber, Public Works Director.

Staff report executive summary.

The City of Wilsonville Public Works Standards (“Standards”) provide design requirements, material specifications, construction procedures, testing standards, and acceptance and maintenance requirements for construction of public infrastructure. The Standards are a technical engineering document used to present the City’s required design and construction information to developers, design engineers, contractors, and the general public.

The current Standards were last updated in 2015. Periodic updates to the Standards are needed to reflect changes in industry practice and technological advances.

High Pressure Sodium lamps are currently used for street lights in the City. To implement the use of dark-sky friendly light emitting diode lamps for new installation of street lights, the Standards and Detail Drawings contained therein must be updated.

**CITY OF WILSONVILLE
CITY COUNCIL MEETING MINUTES**

This Standards update modifies Section 201.9.01 - Roadway and Intersection Lighting and the Standard Detailed Drawings for the use of LED street lights.

This Standards modification is complementary to proposed revisions to City Code Chapter 3 and amendments to Resolution Nos. 881 and 1473.

End of executive summary.

Mayor Knapp questioned whether there would be the ability to maintain the historic acorn style light fixtures in Old Town. Ms. Kerber responded that a retrofit bowl or a corner globe that uses the high efficiency lighting to maintain the character of those lights would be used. Additionally, Ms. Kerber responded that different types of acorn style lights are available and many are custom made, however the City is not currently in the replacement portion of the program.

Councilor Stevens asked when lights in neighborhoods are scheduled to be replaced. Ms. Kerber answered that currently lights in the fixture need to be replaced on a 5-year cycle. Light-Emitting Diode (LED) lights are anticipated to last 20 years.

Moreover, Ms. Kerber reported during the transition period some of the lights will belong to the City while others belong to Portland General Electric (PGE). During that period staff will direct citizens to make outage requests through the City, most likely via the City's website. Staff will then filter out work orders to the City or forward the requests to PGE depending on the owner of the light.

Councilor Stevens wondered if the color of the light emitted would be amber or cool blue. Ms. Kerber replied the lights rated three thousand on the Kelvin color temperature scale. Therefore, the color the light emits tends to be more towards the amber. It's not all the way to the amber on the spectrum but it is not blue either. It is in the middle so it will not be as noticeably different than what the City currently has installed.

Councilor Akervall questioned how upcoming maintenance would be handled. Ms. Kerber replied that ideally the light will not need maintenance. In the event that maintenance is needed the City will have to contract some work because the City does not own a boom truck.

Furthermore, Ms. Kerber recommended that prior to the adoption of the ordinance revisions are to be made on three of the drawing labels on Exhibit B.

The following changes in red are added to the drawing labels:

Drawing number RD -1305 Type 5 – Rectangular Streetlight/Bronze Composite Pole
Drawing number RD -1310 Type 1 – Cobrahead Streetlight/Aluminum Pole
Drawing number RD -1315 Type 6 – Pendant (Westbrook) Streetlight/Black Decorative Pole

The revised Exhibit B is attached.

Motion: Councilor Akervall moved to approve to move Ordinance 809 on first reading with amendments as noted by staff. Councilor Stevens seconded the motion.

**CITY OF WILSONVILLE
CITY COUNCIL MEETING MINUTES**

Vote: Motion carried 3-0.

SUMMARY OF VOTES:

Mayor Knapp	Yes
Council President Starr	Excused
Councilor Stevens	Yes
Councilor Lehan	Absent
Councilor Akervall	Yes

Mayor Knapp closed the hearing at 8:06 p.m.

NEW BUSINESS

A. Resolution No. 2652

A Resolution Pertaining To Street Lighting Charges And Types; And Amending Resolutions No. 881 And No. 1473.

Mr. Cosgrove interjected before the title was read that the following sentence was missing in the staff report under current year budget impacts: No rates or expenditures are changing; this resolution is considered a housekeeping item.

Ms. Jacobson read the title of Resolution No. 2652 into the record.

The staff report was prepared by Delora Kerber, Public Works Director.

Staff report executive summary.

[Resolution No. 881](#), adopted in 1991, established specific styles of street lights within the City, along with fees and charges for services related to each street light type. The street light types established in that resolution were very specific as to the style and type of luminaire, such as Mercury Vapor and High Pressure Sodium Vapor, to be used.

In 1998, [Resolution No. 1473](#) was approved and amended Resolution No. 881 rate structures, increasing fees by 12%.

Since those Resolutions were adopted, technology has changed and the City now desires to use light emitting diode (LED) lights for street lighting. Thus, sections of Resolution No. 881 must be modified to include the use of LED lights for any of the street light styles.

In addition, since Resolution Nos. 881 and 1473 were adopted, a new style of light is being used in the City (mostly in Villebois neighborhoods) – the Westbrook pendant light. This Resolution will add a Street Light Type 6 - Westbrook to both Resolution Nos. 881 and 1473.

Street Light Type 6 – Westbrook is currently billed out at the same rate as Street Light Type 2 – Acorn, and this Resolution will keep the same billing rate.

These changes will support current City practices related to the style, type, and rate for street lights.

CITY OF WILSONVILLE
CITY COUNCIL MEETING MINUTES

All other sections of Resolution Nos. 881 and 1473 will remain in effect.

This Resolution modification is complementary to proposed revisions to City Code Chapter 3 and the Public Works Standards and Standard Detail Drawings.

End of executive summary.

Motion: Councilor Stevens moved to approve Resolution No. 2652. Councilor Akervall seconded the motion.

Vote: Motion carried 3-0.

CITY MANAGER'S BUSINESS

City Manager Cosgrove provided Council with a brief update on Basalt Creek. Mr. Cosgrove told Council that a meeting with Washington County and Tualatin is scheduled for the following week. The objective being that moving forward Metro would make the final decision. Metro has agreed to be the arbitrator, contingent upon on Washington County, Tualatin and Wilsonville agreeing to the arbitration.

Mr. Cosgrove invited Council to the League of Oregon Cities (LOC) conference happening September 28 -30 at the DoubleTree in Portland. He also noted that the City is in the lottery to possibly host a hospitality suite on the Thursday evening of the conference.

Mr. Cosgrove revealed the Citizens Academy starts in January. In addition, applications are currently being accepted with a limit of 25 participants. Mr. Cosgrove referred those interested to visit the City's website (<http://www.ci.wilsonville.or.us/658/Wilsonville-Citizens-Academy>) for more information and requirements.

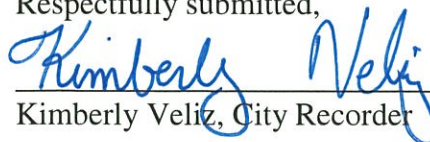
LEGAL BUSINESS

No report.

ADJOURN

Mayor Knapp adjourned the meeting at 8:18 p.m.

Respectfully submitted,



Kimberly Veliz, City Recorder

ATTEST:



Tim Knapp, Mayor

This Detail Drawing may not be altered or changed in any manner except by the City Engineer. It is the responsibility of the user to acquire the most current version.

STREET LIGHT STYLE ON DESIGNATED STREETS

Street light installation is categorized into a specific style for each designated street section in which the street light is installed. Luminaires shall be at a minimum Light Emitting Diode (LED) lights in 3000K color with a 7 pin adapter.

The following street light styles shall be utilized on these designated street sections.

- A. Residential Streets - Residential Collectors (49-56 foot right-of-way) LID Local Streets (41-52 foot right-of-way)
 Type 5 or Type 6
 Style: Rectangular (Type 5) or Westbrooke (Type 6)
 Pole: Rectangular - Minimum Thirty (30) foot bronze composite (25 foot mounting height) OR Westbrooke - Eighteen (18) foot black aluminum with four 4 foot mast arm

- B. Collector (69-77 foot right-of-way without on-street parking, 79-93 foot right-of-way with on-street parking)
 Type 1
 Style: Cobrahead
 Pole: Thirty (30) foot aluminum with 6 foot davit


- C. Commercial/Industrial Street (62 foot right-of-way)
 Type 1
 Style: Cobrahead
 Pole: Thirty five (35) foot aluminum with 8 foot davit

- D. Minor Arterial Street (73-81 foot right-of-way,) Major Arterial (95-107 foot right-of-way)
 Type 1
 Style: Cobrahead
 Pole: Thirty (30) foot aluminum with 6 foot davit

- E. Grahams Ferry and Tooze Road adjacent to the Villebois Village development
 Type 1
 Style: Cobrahead
 Pole: 35 foot black fiberglass direct bury pole (30 foot mounting height) with 6 foot arm

Any deviation of street light style for a designated street requires approval of the City Engineer.

The City of Wilsonville makes no representations or warranties regarding street lighting equipment, whether included or not included on this list of approved street lighting equipment. Inclusion on this list is not an endorsement of the equipment nor does it mean that the listed equipment is appropriate for requirements applicable to all street lighting applications. If equipment is not included in this list, it does not reflect whether or not such equipment is appropriate for street light use.


Street Light Style, Types and Districts PG 1			CITY OF WILSONVILLE  PUBLIC WORKS STANDARDS
DRAWING NUMBER: RD-1300	DRAWN BY:	SCALE: N.T.S.	
FILE NAME: RD-1300.dwg	APPROVED BY:	DATE: 08/28/17	

This Detail Drawing may not be altered or changed in any manner except by the City Engineer. It is the responsibility of the user to acquire the most current version.

STREET LIGHT TYPES AND LIGHTING DISTRICTS

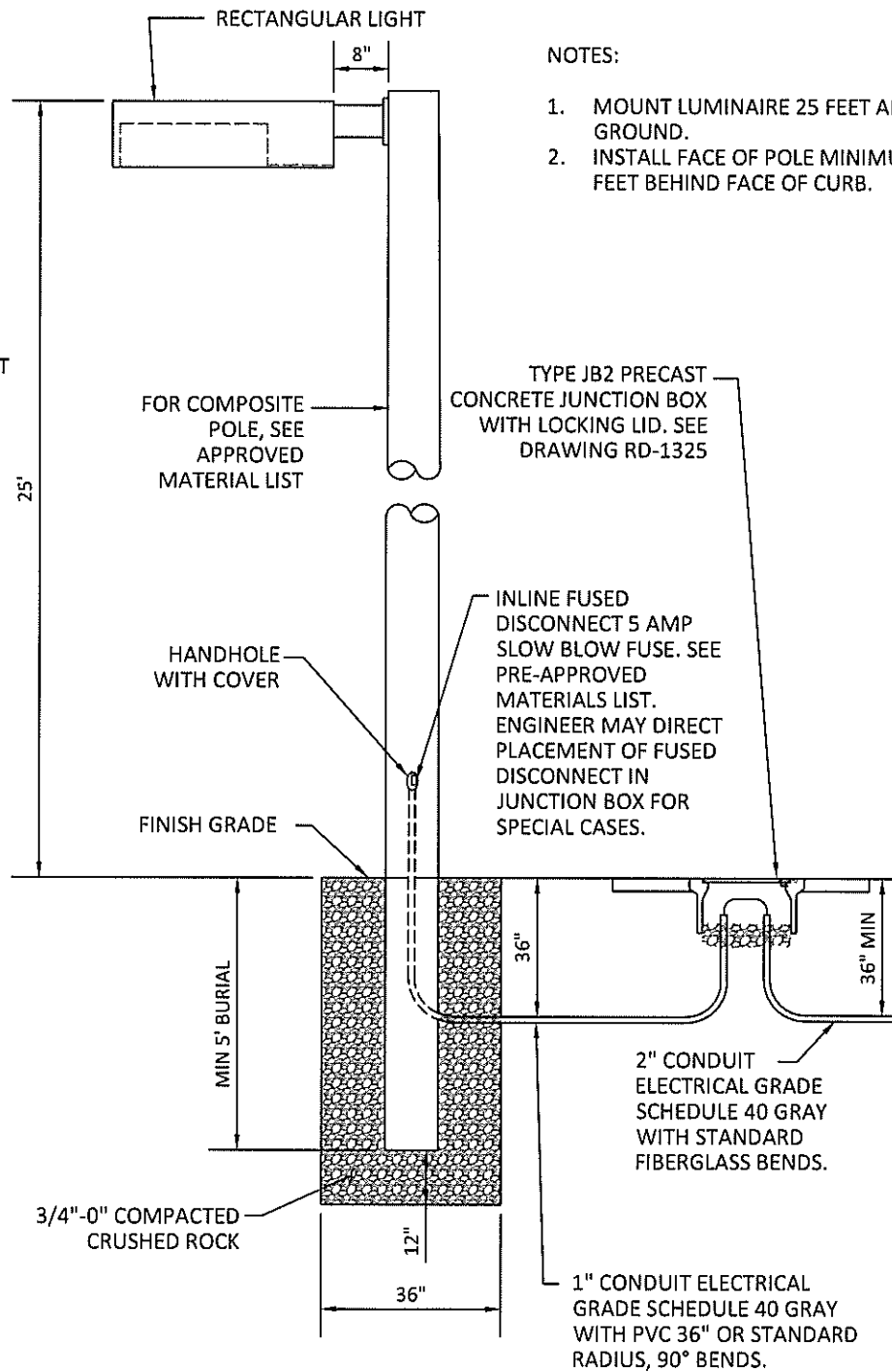
Street Light Type	Lighting District
Type 1: Cobrahead	Arterials, Collectors, Commercial and Industrial
Type 2: Acorn	Meadows, Daybreak, Coffee Lake, Villebois
Type 3: Town and Country	Fox Chase, Courtside, Day Dream, Rivergreen, Parkwood, Park at Merryfield, Bouchaine, Roanoke, Murray, Renaissance Boat Club
Type 4: Mast Arm & Head	Old Town
Type 5: Rectangular (aka Shoebox)	Charbonneau
Type 6: Westbrook	Villebois

The City of Wilsonville makes no representations or warranties regarding street lighting equipment, whether included or not included on this list of approved street lighting equipment. Inclusion on this list is not an endorsement of the equipment nor does it mean that the listed equipment is appropriate for requirements applicable to all street lighting applications. If equipment is not included in this list, it does not reflect whether or not such equipment is appropriate for street light use.

Street Light Style, Types and Districts PG2			CITY OF WILSONVILLE  PUBLIC WORKS STANDARDS
DRAWING NUMBER: RD-1300	DRAWN BY:	SCALE: N.T.S.	
FILE NAME: RD-1300.dwg	APPROVED BY:	DATE: 08/28/17	

This Detail Drawing may not be altered or changed in any manner except by the City Engineer. It is the responsibility of the user to acquire the most current version.

FOR LIGHT FIXTURE, SEE
PRE-APPROVED MATERIALS LIST



NOTES:

1. MOUNT LUMINAIRE 25 FEET ABOVE GROUND.
2. INSTALL FACE OF POLE MINIMUM 2 FEET BEHIND FACE OF CURB.

FOR COMPOSITE
POLE, SEE
APPROVED
MATERIAL LIST

TYPE JB2 PRECAST
CONCRETE JUNCTION BOX
WITH LOCKING LID. SEE
DRAWING RD-1325

HANDHOLE
WITH COVER

INLINE FUSED
DISCONNECT 5 AMP
SLOW BLOW FUSE. SEE
PRE-APPROVED
MATERIALS LIST.
ENGINEER MAY DIRECT
PLACEMENT OF FUSED
DISCONNECT IN
JUNCTION BOX FOR
SPECIAL CASES.


FINISH GRADE

MIN 5' BURIAL

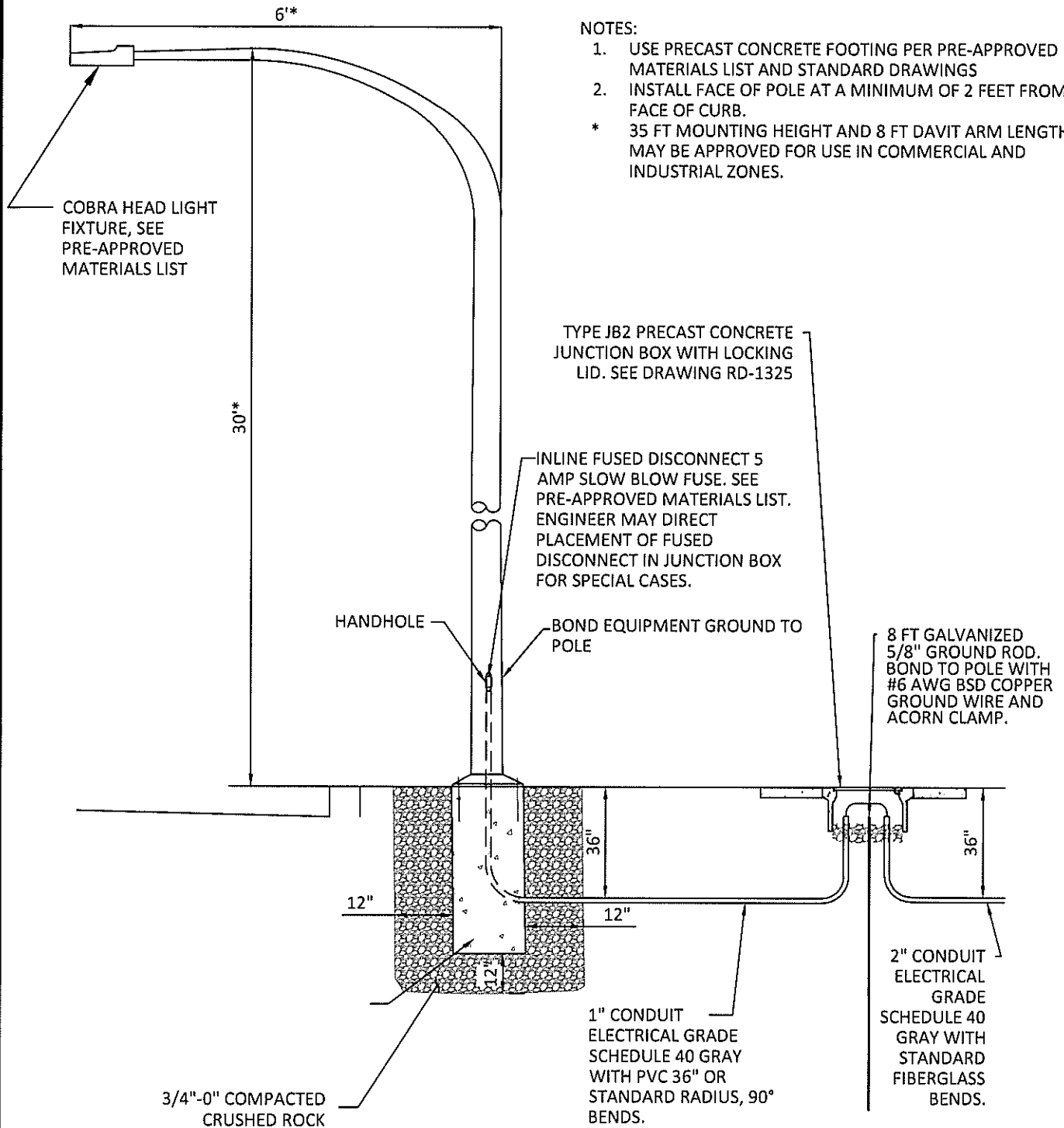
3/4"-0" COMPACTED
CRUSHED ROCK

2" CONDUIT
ELECTRICAL GRADE
SCHEDULE 40 GRAY
WITH STANDARD
FIBERGLASS BENDS.

1" CONDUIT ELECTRICAL
GRADE SCHEDULE 40 GRAY
WITH PVC 36" OR STANDARD
RADIUS, 90° BENDS.

Type 5- Rectangular Streetlight/Bronze Composite Pole			CITY OF WILSONVILLE  PUBLIC WORKS STANDARDS
DRAWING NUMBER: RD-1305	DRAWN BY: SR	SCALE: N.T.S.	
FILE NAME: RD1305.dwg	APPROVED BY: NK	DATE: 09/08/17	

This Detail Drawing may not be altered or changed in any manner except by the City Engineer. It is the responsibility of the user to acquire the most current version.




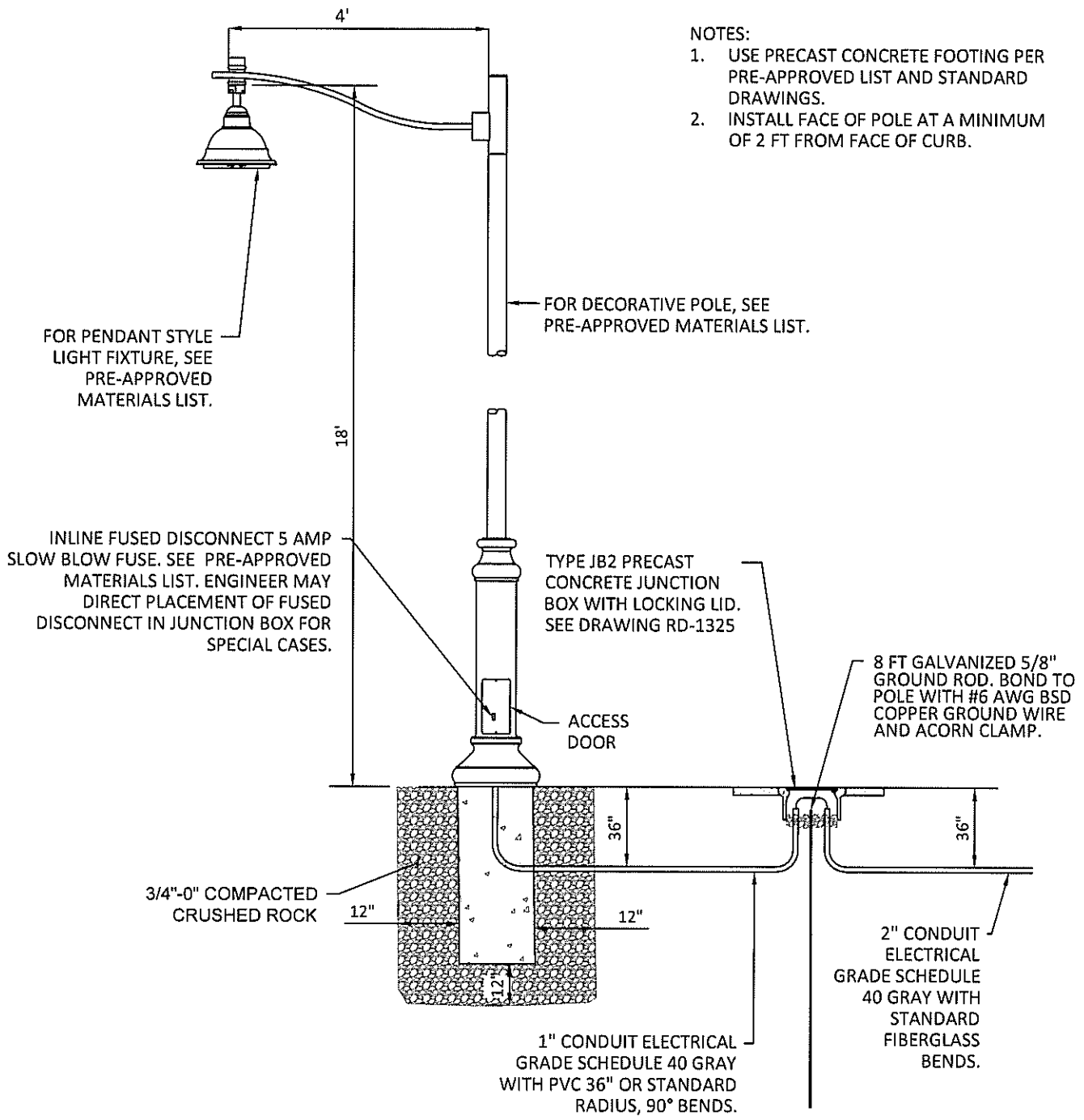
Type 1- Cobrahead Streetlight/Aluminum Pole			CITY OF WILSONVILLE  PUBLIC WORKS STANDARDS
DRAWING NUMBER: RD-1310	DRAWN BY: SR	SCALE: N.T.S.	
FILE NAME: RD1310.dwg	APPROVED BY: NK	DATE: 09/08/17	

EXHIBIT B

This Detail Drawing may not be altered or changed in any manner except by the City Engineer. It is the responsibility of the user to acquire the most current version.




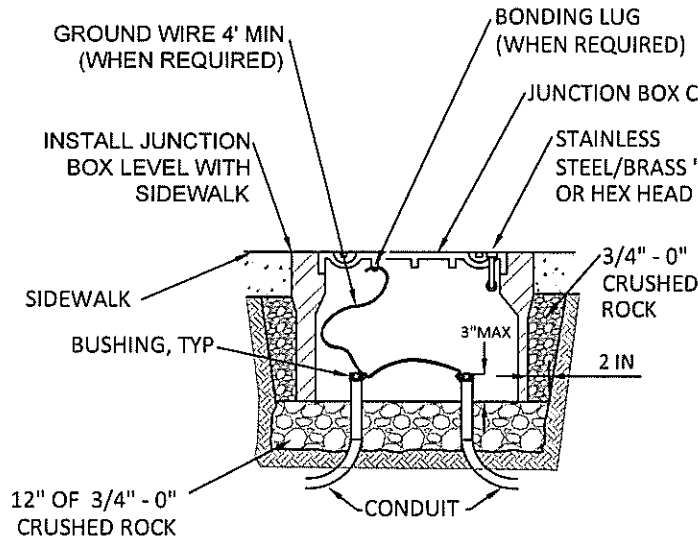
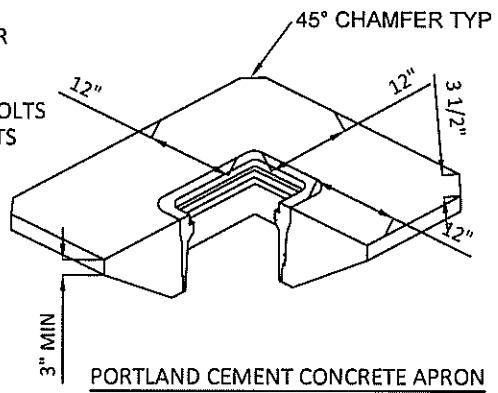
Type 6- Pendant (Westbrook) Streetlight/Black Decorative Pole			CITY OF WILSONVILLE  PUBLIC WORKS STANDARDS
DRAWING NUMBER: RD-1315	DRAWN BY: SR	SCALE: N.T.S.	
FILE NAME: RD1315.dwg	APPROVED BY: NK	DATE: 09/08/17	

EXHIBIT B

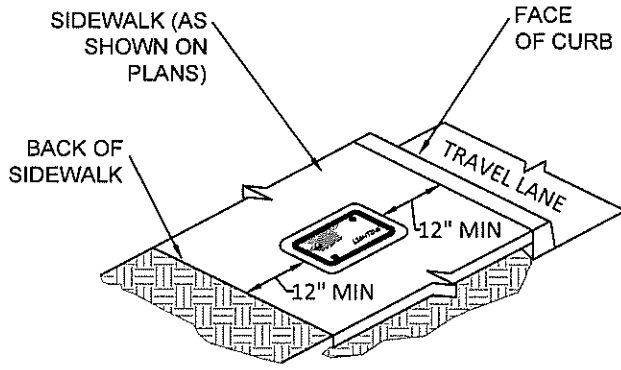
This Detail Drawing may not be altered or changed in any manner except by the City Engineer. It is the responsibility of the user to acquire the most current version.



INSTALLATION IN SIDEWALK OR AT BACK OF CURB

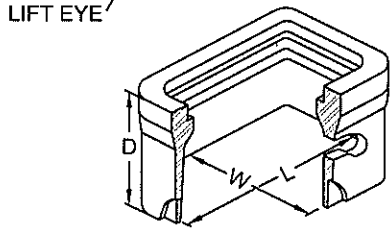
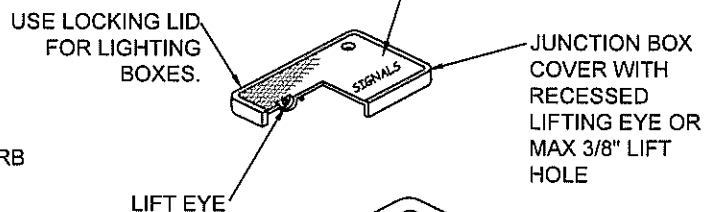


PORTLAND CEMENT CONCRETE APRON



JUNCTION BOX PLACEMENT WITHIN SIDEWALKS

SHOULD AVOID INSTALLING JUNCTION BOXES IN SIDEWALKS WHENEVER POSSIBLE.
 (JUNCTION BOXES TO BE LOCATED ONLY IN FLAT AREAS OF SIDEWALKS
 CONCRETE JUNCTION BOXES ARE NOT TO BE INSTALLED IN SLOPES OF RAMPS OR DRIVEWAYS)
 JUNCTION BOXES PLACED WITHIN SIDEWALKS SHALL INCLUDE A FULL PANEL REMOVAL AND REINSTALL



JUNCTION BOX

NOT TO BE USED IN TRAVEL LANES, SHOULDERS OR AREAS EXPOSED TO TRAFFIC. SEE PRE-APPROVED MATERIALS LIST.

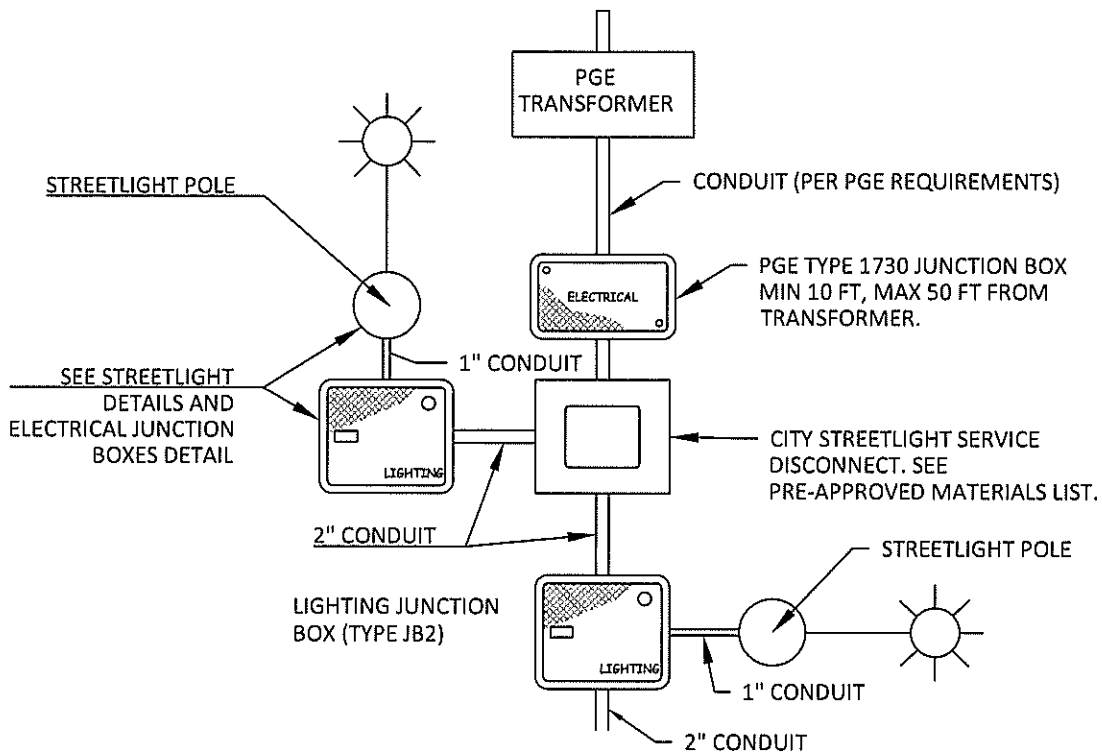
TYPE	L	W	D
JB1	17"	10"	12"
JB2	22"	12"	12"
JB3	30"	17"	12"

JUNCTION BOX DIMENSION TABLE

Electrical Junction Boxes			CITY OF WILSONVILLE PUBLIC WORKS STANDARDS
DRAWING NUMBER: RD-1325	DRAWN BY: SR	SCALE: N.T.S.	
FILE NAME: RD1325.dwg	APPROVED BY: NK	DATE: 08/08/17	




This Detail Drawing may not be altered or changed in any manner except by the City Engineer. It is the responsibility of the user to acquire the most current version.

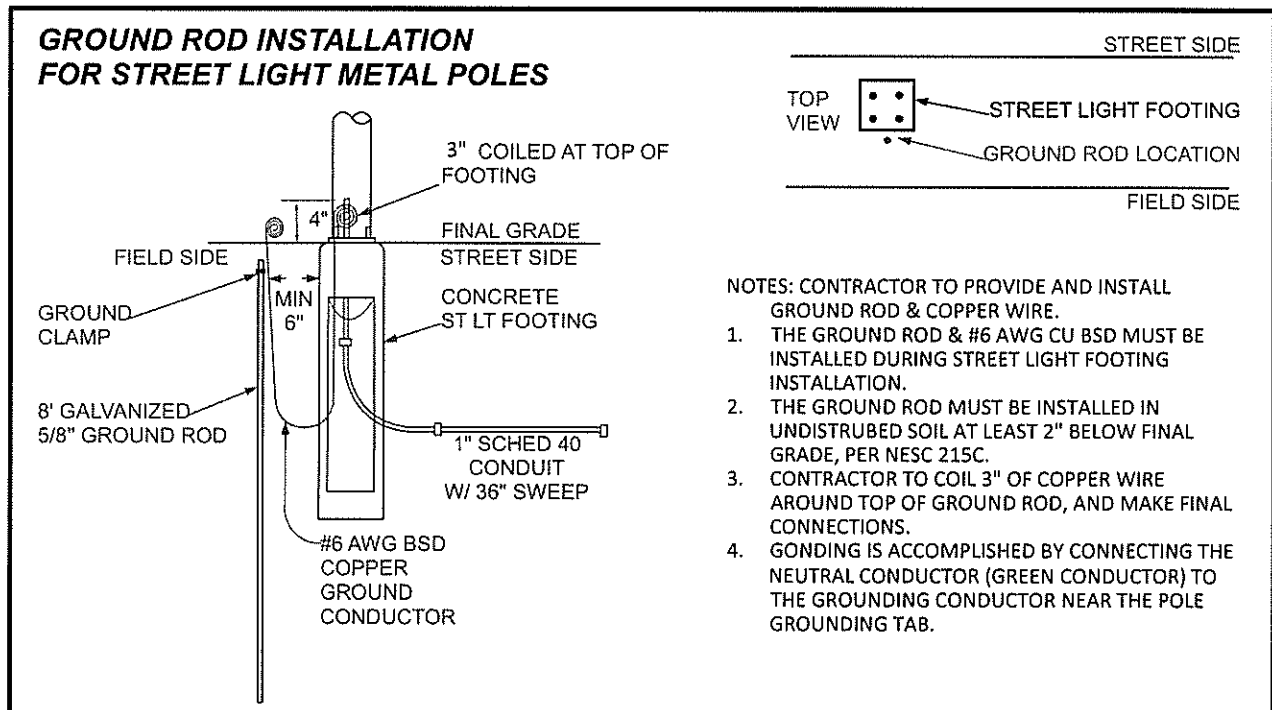
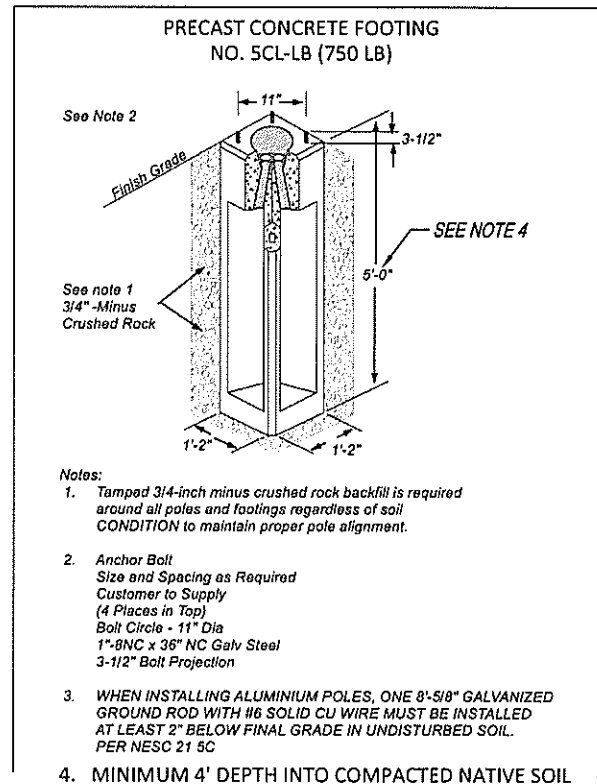
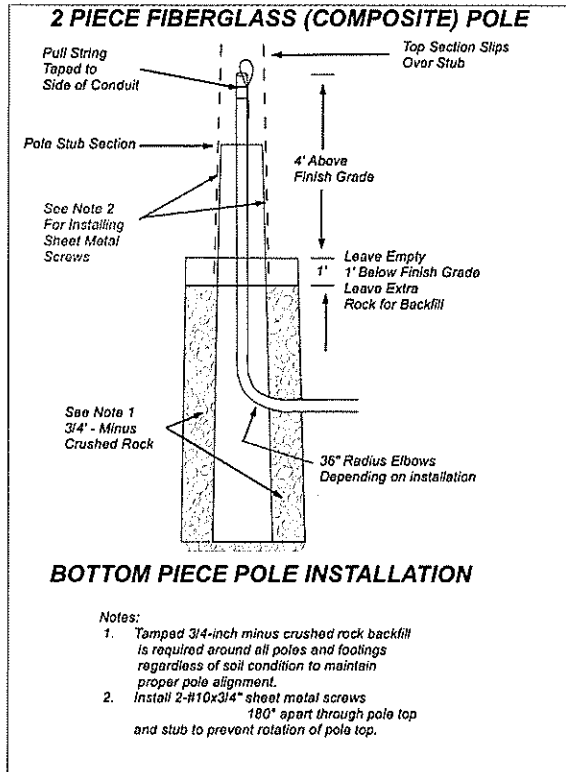


NOTES:

1. MINIMUM CONDUCTOR SIZE SHALL BE 10 GA. CONDUCTORS SHALL BE UPSIZED IF REQUIRED TO KEEP VOLTAGE DROP TO LESS THAN 3%. 3-CONDUCTOR 7-STRAND COPPER WIRE WITH .030" XLPE INSULATION, FILLERS, AND CLEAR MYLAR WRAP TAPE NON-SHIELDED OVERALL .045" BLACK PVC JACKET (UL) TC-ER XHHW-2/VW-1 600V 90C DRY/WET, SUN RESISTANT, DIRECT BURY, CC: BLACK/RED/GREEN FOR 220 VOLT AND BLACK/WHITE/GREEN FOR 120 VOLT.
2. ALL EMPTY CONDUITS MUST HAVE A #14 LOCATE WIRE AND A NONCONDUCTIVE PULL LINE, 500 POUND RATED, WITH 6 FEET OF LINE EXTENDING FROM EACH END OF THE CONDUIT.
3. INSTALL ELECTRICAL GRADE SCHEDULE 40 GRAY PVC CONDUIT WITH FIBERGLASS BENDS. ALL PVC JOINTS SHALL BE GLUED. ALL FACTORY OR FIELD CUT CONDUITS SHALL BE CHAMFERED TO PREVENT DAMAGE TO CABLES. A WOODEN, PLASTIC, OR HARD RUBBER MANDREL CONFIGURED FOR THE CONDUIT INSIDE DIAMETER SHALL BE PULLED THROUGH TO TEST FOR OBSTRUCTIONS AND OUT-OF-ROUND CONDUIT.
4. ELECTRICAL BUILDING PERMIT REQUIRED.

Streetlight Disconnect			CITY OF WILSONVILLE  PUBLIC WORKS STANDARDS
DRAWING NUMBER: RD-1330	DRAWN BY: SR	SCALE: N.T.S.	
FILE NAME: RD1330.dwg	APPROVED BY: NK	DATE: 08/08/17	

This Detail Drawing may not be altered or changed in any manner except by the City Engineer. It is the responsibility of the user to acquire the most current version.




Streetlight Footing Requirements			CITY OF WILSONVILLE PUBLIC WORKS STANDARDS
DRAWING NUMBER: RD-1335	DRAWN BY: SR	SCALE: N.T.S.	
FILE NAME: RD-1335.dwg	APPROVED BY: NK	DATE: 08/08/17	

EXHIBIT B

This Detail Drawing may not be altered or changed in any manner except by the City Engineer. It is the responsibility of the user to acquire the most current version.

1. ALL CONCRETE FOOTINGS NEED TO BE INSTALLED WITH TOP OF BASE FLUSH TO CURB/SIDEWALK.
2. ALL CROSSINGS MUST EXTEND FROM PROPERTY LINE TO PROPERTY LINE. CROSSINGS TO BE 48 INCHES DEEP, MEASURED FROM FINAL GRADE.
3. DIRECTIONAL BORING REQUIREMENTS: BLACK HDPE (HIGH DENSITY POLYETHELINE) DUCT OR SCHEDULE 40 PVC WITH A MECHANICAL CONNECTION (CERTA-LOK OR LIKE MECHANICAL CONNECTION PRODUCT) PROJECT EXTRUDED RED STRIPES (WHICH IS A SPECIFICATION REQUIREMENT) MANDREL TEST OF HDPE PIPE IS REQUIRED AFTER INSTALLATION WITH CITY INSPECTOR PRESENT.
4. TRENCH AND ELBOW CONFIGURATIONS, ALL CONDUIT, VAULT AND PAD INSTALLATIONS MUST BE INSPECTED PRIOR TO BACKFILLING.
5. ALL CONDUCTORS TO BE INSTALLED IN GRAY, SCHEDULE 40, ELECTRICAL GRADE, PVC CONDUIT WITH NYLON PULL STRINGS (MIN 500 LBS. TEST). PGE TO DETERMINE THE SIZE AND NUMBER OF CONDUITS REQUIRED. MAINTAIN 12 VERTICAL INCHES AND 24 HORIZONTAL INCHES CLEARANCE BETWEEN GAS AND OTHER UTILITIES. ALL ELBOWS 4 INCH & SMALLER TO BE 36 INCH RADIUS. ALL BENDS MUST BE FACTORY MADE. ALL ELBOWS LARGER THAN 4 INCH TO BE 60 INCH RADIUS. RIGID STEEL OR PGE APPROVED. FIBERGLASS BENDS ARE REQUIRED FOR RUNS OF 151 FEET OR LONGER, OR FOR ANY LENGTH RUN WITH MORE THAN 180 DEGREES IN BENDS. PVC SCHEDULE 40 BENDS ARE ACCEPTABLE FOR RUNS OF 150 FEET OR LESS. THE MAXIMUM TOTAL BENDS IN ANY CONDUIT RUN IS 270 DEGREES.
6. THE AIR GAP, IF ANY BETWEEN THE TOP OF THE FOOTING/PEDESTAL AND THE BOTTOM OF THE POLE SHALL BE GROUTED WITH HIGH STRENGTH, NON-SHRINK GROUT.

STREETLIGHT FOOTING REQUIREMENTS			CITY OF WILSONVILLE  PUBLIC WORKS STANDARDS
DRAWING NUMBER: RD-1340	DRAWN BY: SR	SCALE: N.T.S.	
FILE NAME: RD-1340.dwg	APPROVED BY: NK	DATE: 08/08/17	

This Detail Drawing may not be altered or changed in any manner except by the City Engineer. It is the responsibility of the user to acquire the most current version.

APPROVED STREET LIGHTING EQUIPMENT FOR NEW INSTALLATIONS

LED LIGHTS

At a minimum lights shall be 3000K color; have 7-pin receptacle per ANSI C136.41 and external wattage label per ANSI C136.15.

LUMINAIRE: CREE XSP2 LED, ALUMINUM - COBRAHEAD

Product: **BXSP**

Version: **C**

Mounting: **HT** - horizontal tendon

Optic*: **2ME** - Type II medium; **2LG** - Type II long; **3ME** - Type III medium; **4ME** - Type IV medium

Input power designator: **F** - 139W

CCT: **30K** - 3000K

Voltage: **UL**- Universal 120-277V


Color options: **SV** - silver

Options: **N-Q9** - Utility Label and NEMA Photocell Receptacle

- external wattage label per ANSI C136.15
- 7 - pin receptacle per ANSI C136.41
- Factory connected 0-10V dim lights
- Photocell and shorting cap by others
- Includes Q9 option - Field adjustable output
- Refer to manufacturers Field Adjustable Output Spec sheer for details

* to be determined by designer - see manufacture specifications

The City of Wilsonville makes no representations or warranties regarding street lighting equipment, whether included or not included on this list of approved street lighting equipment. Inclusion on this list is not an endorsement of the equipment nor does it mean that the listed equipment is appropriate for requirements applicable to all street lighting applications. If equipment is not included in this list, it does not reflect whether or not such equipment is appropriate for street light use.

Approved Street Lighting Equipment for New Installations Pg 1			CITY OF WILSONVILLE  PUBLIC WORKS STANDARDS
DRAWING NUMBER: RD-1345	DRAWN BY:	SCALE: N.T.S.	
FILE NAME: RD-1345.dwg	APPROVED BY:	DATE: 08/28/17	

This Detail Drawing may not be altered or changed in any manner except by the City Engineer. It is the responsibility of the user to acquire the most current version.

LUMINAIRE: PHILIPS HADCO URBAN WESTBROOK NON-FLARED (CXF14) OR FLARED (CXF15)

Series: **CXF14** or **CXF15**

LEDs*: **32; 48; 64; 80**

Generation: **G2**

Finish: **A Black**

Optics*: **2 - Type II; 3 - Type 3; 4 - Type 4; 5 - Type 5**

CCT: **W 3000K**

Voltage: **A 120-277 VAC**

Drive Current*: **3 - 350mA; 5 - 530mA; 7- 700mA**

Optional Dimming*:

DA 4 Hrs 25% reduction; DB 4 Hrs 50% reduction; DC 4 Hrs 75% reduction;

DD 6 Hrs 25% reduction; DE 6 Hrs 50% reduction; DF 6 Hrs 75% reduction;

DG 8 Hrs 25% reduction; DH 8 Hrs 50% reduction; DJ 8 Hrs 75% reduction;

DALI Compatible with DALI; N No Dimming

Optional Programs:

1st Option: **N No 1st Option**


2nd Option: **CLO Constant light output**

3rd Option: **OTL Over the life**

Surge Protection: **SP2 20V/20kA**

*to be determined by designer - see manufacture specifications

The City of Wilsonville makes no representations or warranties regarding street lighting equipment, whether included or not included on this list of approved street lighting equipment. Inclusion on this list is not an endorsement of the equipment nor does it mean that the listed equipment is appropriate for requirements applicable to all street lighting applications. If equipment is not included in this list, it does not reflect whether or not such equipment is appropriate for street light use.

Approved Street Lighting Equipment for New Installations Pg 2			CITY OF WILSONVILLE  PUBLIC WORKS STANDARDS
DRAWING NUMBER: RD-1345	DRAWN BY:	SCALE: N.T.S.	
FILE NAME: RD-1345.dwg	APPROVED BY:	DATE: 08/28/17	

This Detail Drawing may not be altered or changed in any manner except by the City Engineer. It is the responsibility of the user to acquire the most current version.

LUMINAIRE: AMERICAN ELECTRIC LIGHTING AUTOBAHN ATBO, BRONZE

Series: **ATBO** - Autobahn LED Roadway

Performance packages*:

10BLEDE70 - 10B chips, 700mA Driver; **10BLEDE10** - 10B chips, 1050mA driver; **10BLEDE15** - 10B chips, 1500mA driver

20BLEDE53 - 20B chips, 525mA driver; **20BLEDE70**- 20B chips, 700mA Driver; **20BLEDE10** -20B chips, 1050mA driver; **20BLEDE13** -20B chips, 1300mA driver; **20BLEDE15** - 20B chips, 1500mA driver;

30BLEDE70 - 30B chips, 700mA driver; **30BLEDE85**- 30B chips, 850mA Driver; **30BLEDE10** - 30B chips, 1050mA driver; **30BLEDE13** -30B chips, 1300mA driver; **30BLEDE15** - 30B chips, 1500mA driver

Voltage: **MVOLT** - multi-volt, 120 - 227V

Optics*: **R2** - Roadway Type II; **R3** - Roadway Type 3; **R4** - Roadway Type 4; **R5** - Roadway Type 5

Options:

Color Temperature (CCT): **3K** 3000K CCT, 70 CRI Min.

Paint: **BZ** - Bronze

Surge Protection: **20** - 20kV/10KA SPD

Terminal Block - standard

Misc. :

NL - Nema Label

UMR-XX - 8 " horizontal arm for round pole, painted to match fixture

Controls:

P7 - 7 Pin Photocontrol receptacle (dimmable driver included)

AO - Field Adjustable Output

PCLL - Solid State Long Life Photocontrol

* to be determined by designer - see manufacturer recommendations

The City of Wilsonville makes no representations or warranties regarding street lighting equipment, whether included or not included on this list of approved street lighting equipment. Inclusion on this list is not an endorsement of the equipment nor does it mean that the listed equipment is appropriate for requirements applicable to all street lighting applications. If equipment is not included in this list, it does not reflect whether or not such equipment is appropriate for street light use.


Approved Street Lighting Equipment for New Installations Pg 3			CITY OF WILSONVILLE  PUBLIC WORKS STANDARDS
DRAWING NUMBER: RD-1345	DRAWN BY:	SCALE: N.T.S.	
FILE NAME: RD-1345.dwg	APPROVED BY:	DATE: 08/28/17	

EXHIBIT B

This Detail Drawing may not be altered or changed in any manner except by the City Engineer. It is the responsibility of the user to acquire the most current version.

POLES AND MAST ARMS

Length & Type	Valmont	Hadco	P&K Poles (Flagpole Inc)	Union Metal
30 foot, Davit 6' Mast Arm (1952) (CU 279)	3000-85106D4	41-176PGE	RTA8L30AAD1632D	920-B179-Y1
30 foot, Double Davit 2-6' Mast	3000-856206D4Z	42-158XPGE	NONE	920-B180-Y1
35 foot, Davit 8' Mast	3500-8108D4	41-231PGE	RTA8M35AAD1832D	920-B179-Y2

POLE: DECORATIVE BLACK ALUMINUM (Use with Hadco Westbrook Fixture)


Length	Hadco
18 Foot, Black, Smooth Anchor Base (11" B.C.)	CP2871C (40034)
4 Foot Pole Extension w/Arm Bracket, Pole Cap, and 18 Foot Smooth Westbrooke Pole (CU 1437)	CA7897-HFP710-P5A (90002579)
4 Foot Pole Extension w/Double Mast Arm, Pole Cap, and 18 Foot Smooth Westbrooke Pole (CU 1438)	CA2871L-HFP720-P5A (90003564)

POLES: COMPOSITE, 2-PIECE, SMOOTH FINISH, DIRECT-BURIED, TOP PIECE ONLY

Length & Type	Mounting Height & Color	Shakespeare	CMT
30 Foot, Direct Buried	25 Feet, Bronze	BHT3099S5BL9901 (39358) (CU 1111)	MDS30-F-100-S2-HS-PC-NP-1B-22 (39372) (CU 1112)

POLE FOOTINGS: CONCRETE

Precast Concrete Base	Bolt Circle	Bolt Projection	Bolt Type	Base Dimensions	Utility Vault Company
For all decorative and post-top anchor base poles 14 to 25 feet. (39083)	11 inch	3-1/2 inch	1"- 8 NC Galv Steel	20" Round by 48" High	20R-LB-4- PGE
For 25 to 35 Foot Aluminum Anchor Base Poles (00147)				14" Square by 60" High	5CL-LB- PGE
For 40 Foot Aluminum Anchor Base Poles (39094)				18" Top 24" Bottom 84" High	7-LB- PGE

Approved Street Lighting Equipment for New Installations Pg 4			CITY OF WILSONVILLE  PUBLIC WORKS STANDARDS
DRAWING NUMBER: RD-1345	DRAWN BY:	SCALE: N.T.S.	
FILE NAME: RD-1345.dwg	APPROVED BY:	DATE: 08/28/17	

This Detail Drawing may not be altered or changed in any manner except by the City Engineer. It is the responsibility of the user to acquire the most current version.

MISCELLANEOUS

GROUT

Non-Shrink Grout, such as Alcrete Twenty Minute Fast Setting Grout, or approved equal

The air gap between the top of pedestal and bottom of light pole shall be grouted with a high-strength, non-shrinking grout meeting ODOT SSC Section 02440.50(b).

MANHOLE COVER: GRAY, PLASTIC, STEEL CORE, UNIVERSAL

Quantum Engineering
TL-S (90004595)


STREETLIGHT WIRE: UNDERGROUND OR IN POLE

Streetlight Wire	Description
#10 CU 3-Conductor (00036) (CU 635)	#10 AWG, 600 Volt, 3-Conductor, Class B Stranding, Type TC, with Sunlight-Resistant 45-mil PVC Jacket. Suitable for direct burial installations. Insulation to be black, red, and green per NEMA WC-7 for NEC applications (TFN, THWN, THHN), with fillers or binding tape added to produce round outer jacket, rated 90DC dry and 75DC wet, 1,000 ft NR reels. Jacket to display sequential footage markings. 2 reel labels, one attached to the outside flange surface, one attached to the drum wrapping; each to detail total footage, inside or starting footage.

JUNCTION BOX: FOR UNDERGROUND CONDUCTORS & CONNECTIONS

Junction Box Description	Junction Box, Concrete Polymer Lid, Fiberglass Reinforced Polymer flared sides, 18" Deep, No Floor, With Skid Resistant Cover Attached by Two Captive stainless steel 3/8-inch Penta-head Bolts, Gray Color, per Material Specification L26107 Note: 12"x12"x12" is 12 inches deep with straight sides. Covers must be marked ELECTRIC or POWER.
--------------------------	--------------------------------------------------------------------------------------------------------------------------------------------------------------------------------------------------------------------------------------------------------------------------------------------------------------------------------------------------

Manufacturer	13" x 24" x 18" (90003478)	17" x 30" x 18" (90003480)	12" x 12" x 12" (39031)
Newbasis	FCA132418T-00043	FCA173018T-90026	PCA1212-90005 (Box: PMB121212SN20 Lid: SMC1212B1A20)
Quazite (Hubbell)	A42132418A017	A42173018A017	N/A
Oldcastle /Carson Industries	13241617	17301620	HLW1212-12-PC
CDR (Electrimold)	N/A	N/A	PA-13-1212-12
Highline	CHA132418HE1	CHA173018HE1	PHA121212SE1
Armorcast	A6001946TAX18-PGE	A6001640TAX18-PGE	A6001423TA (Box: A6001423) (Cover: A6001422)

Approved Street Lighting Equipment for New Installations Pg 5			CITY OF WILSONVILLE  PUBLIC WORKS STANDARDS
DRAWING NUMBER: RD-1345	DRAWN BY:	SCALE: N.T.S.	
FILE NAME: RD-1345.dwg	APPROVED BY:	DATE: 08/28/17	